

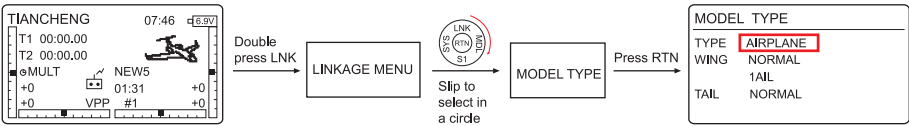
Thank you for your choosing WALKERA products, please read the instructions carefully and keep it carefully so that you can know how to connect an external receiving converter quickly and safely all the time.

## 1.0 Futaba remote controller settings

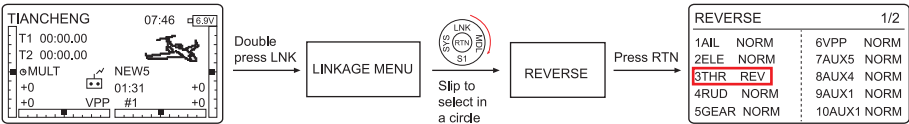
### 1.1 Remote controller signal settings



### 1.2 Model Select

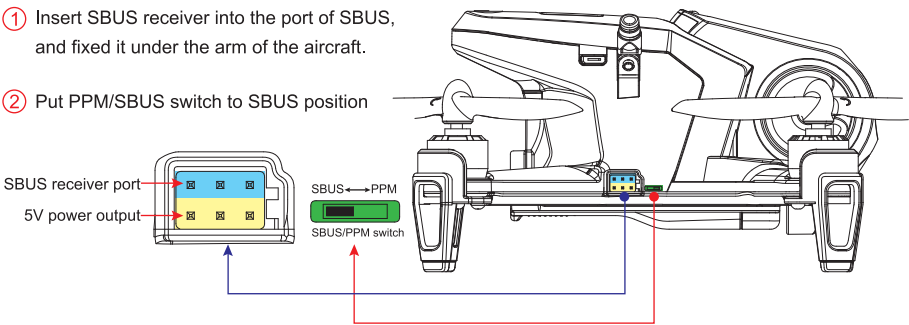


### 1.3 Reverse settings



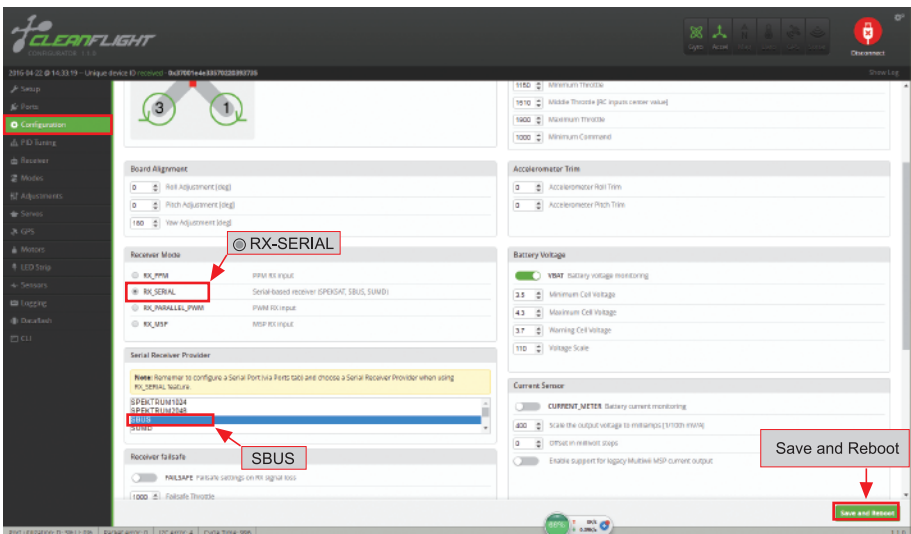
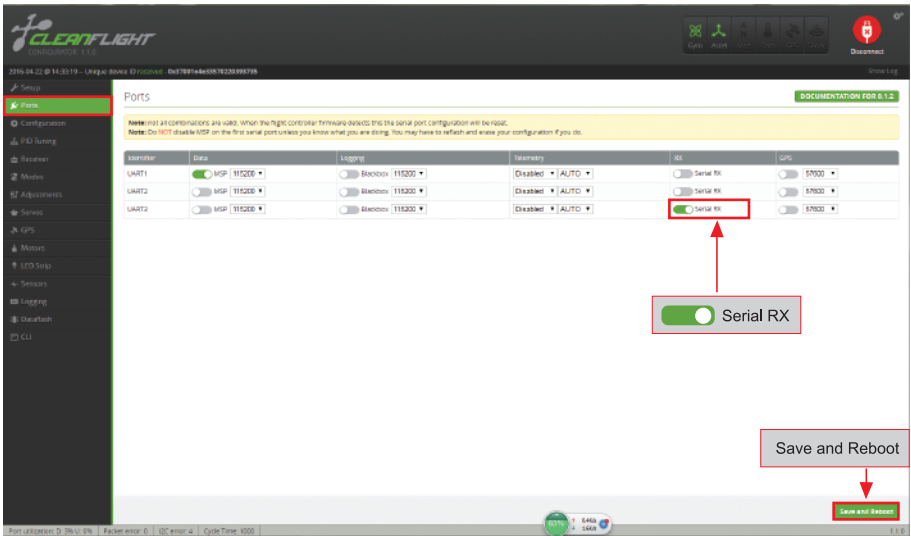
## 2.0 SBUS receiver installation

- ① Insert SBUS receiver into the port of SBUS, and fixed it under the arm of the aircraft.
- ② Put PPM/SBUS switch to SBUS position



### 3.0. Parameter for Main controller

For safety, please remove the propeller or disconnect the brushless motor, and then connect the flight controller with Computer, and click CLEANFLIGHT



#### Tips:

- You can adjust the parameters in the red pane, and press the Save and Reboot button could be done.