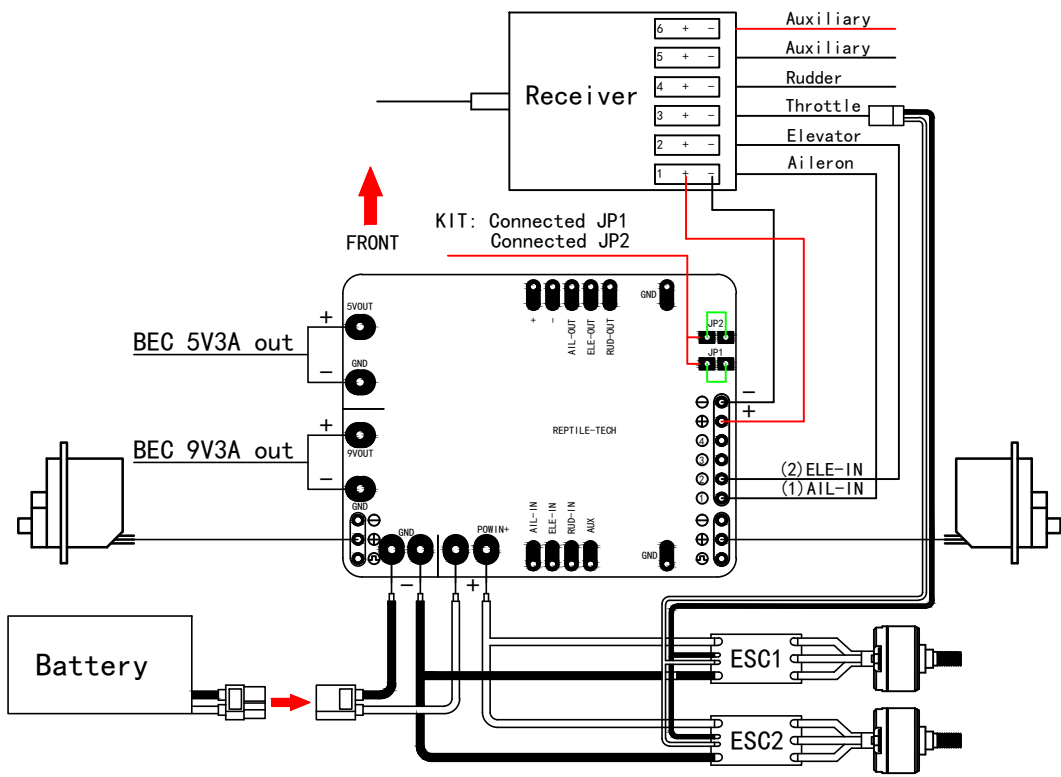
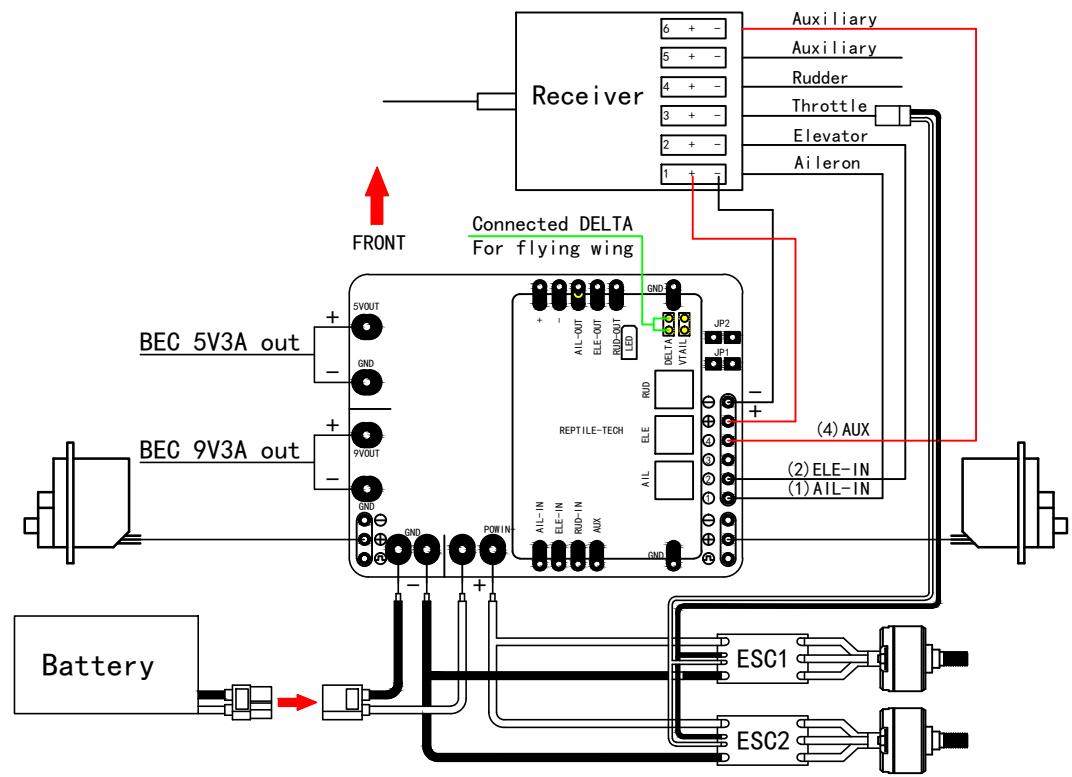


## KIT connection description

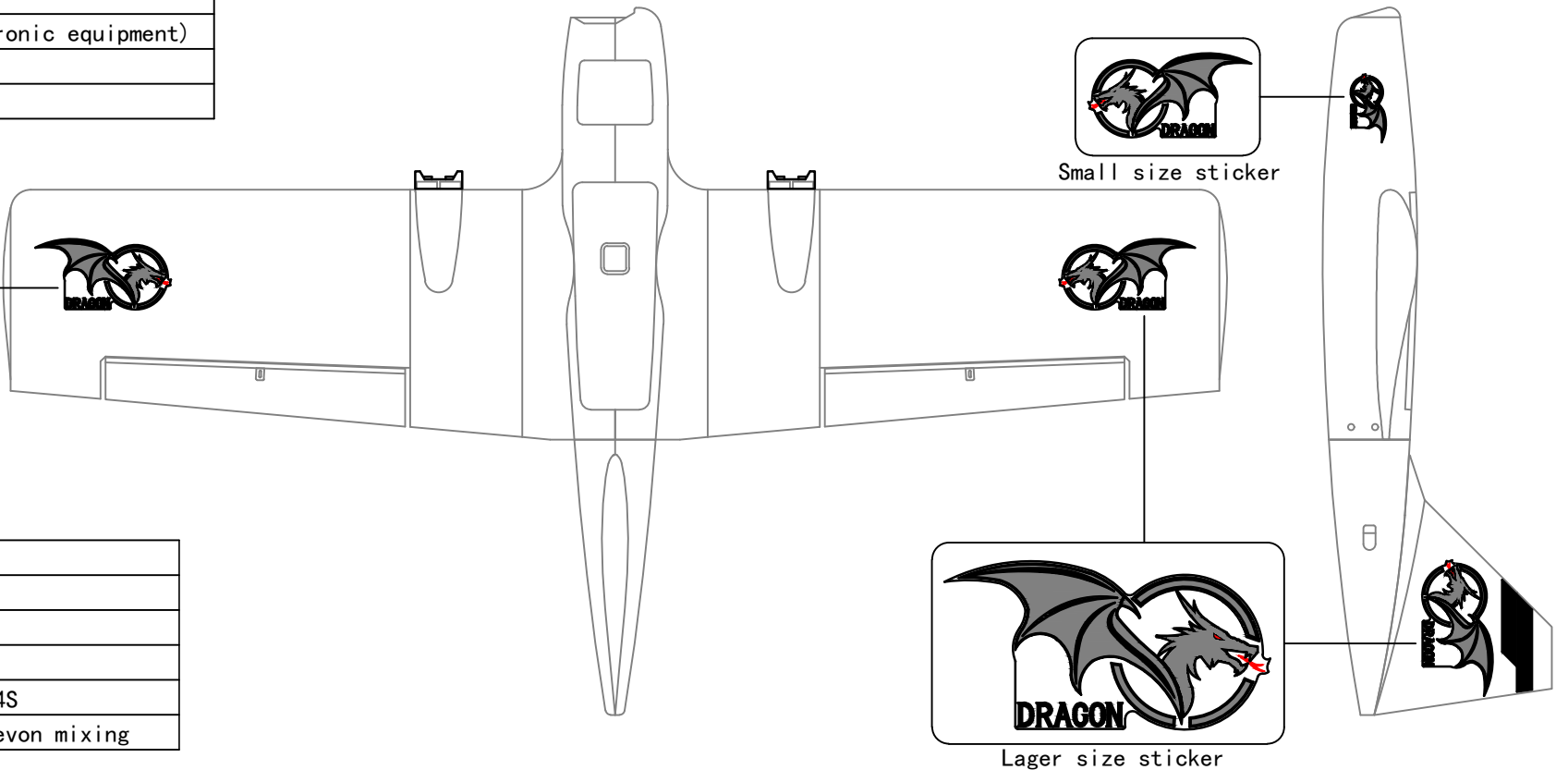
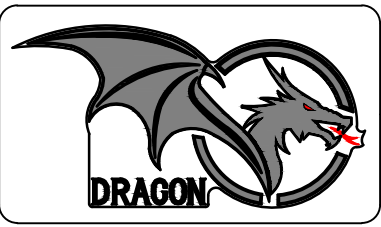


## PNP connection description



## Specifications Table

Wingspan	1200mm
Length	700mm
Weight	400g (Without electronic equipment)
Wing size	27.7DM <sup>2</sup>
Flying weight	1200g



## Recommended Table

Motor	2205/2300KV*2
ESC	30A-40A
Servo	9g*2PCS
Propeller	6"*2
LiPO battery	11.1V 3S    14.8V 4S
Radio	4 channels with elevon mixing

### Flight Controller Manual

**VERY IMPORTANT:** The Controller has to re-learn center position after installation, or replacing a new radio system, or making a trimming (or Sub-Trim) change within the transmitter, otherwise the servos may move to one side automatically when switching to hold mode. To do this, just quickly flip the flight mode switch twice between rate mode and hold mode within 1 second!

#### Features

- Two Model Types supported: delta and vtail.
- Three Flight Modes supported:
  - Rate Mode, Rate Mode for offset correction.
  - Hold Mode, HOLD mode for attitude lock.
  - Gyro Off Mode, transmitter control the plane directly.
- Two kinds of Gain Control Method supported: Master Gain from the radio, Independent Axis Gain from the Variable resistor on the Controller board.
- Using superior algorithm, Bring a more comfortable and more sensitive sense of control.

#### Specifications

- Voltage Range: 4.8-5.5V DC. (Do Not Use Dry Cell!)
- Dimensions: 35mm x 25mm.
- Weight: 5.0g.

#### Status LED Description

LED OFF: Flight Controller in Gyro Off Mode.  
LED ON: Flight Controller in Rate Mode.  
LED flash: Flight Controller in Hold Mode.

**WARNING: PLEASE READ THE FOLLOWING STEPS VERY CAREFULLY BEFORE YOU START TO INSTALL A NEW PLANE!**

#### Step 1: Mounting

Please make sure that the plate is installed in accordance with the directions indicated in the instruction.

#### Step 2: Model Type Selection

The DIP switches set the WING mode. Please match the type of your aircraft with Delta-wing (Flying-wing) and V-tail according to the pictures 1 to 2. If you change any DIP switch settings, power cycle the device to enable the new setting to take effect.

#### Step 3: Wiring

According to the definition of the interface of the diagram, the control board is welded on the power supply board, and then the power supply board is connected with the receiver according to the wiring diagram. (PIC.1/PIC.2)

This product applies PIC.1 wiring, please link the Delta port.

#### Step 4: Switch and Master Gain Channel Configure

Assign a 3-pos switch to the channel which connected the pins "IN-4" (AUX-IN) for switching the flight mode in flight. When use a 2-pos switch, you can only switch between Rate Mode and Hold Mode. So you can not switch to Gyro Off Mode. It will be set to Rate Mode by default if switch channel is not connected to the board. If your transmitter has Travel Adjust Function (End Point Adjust Function), you can change the switch channel's End Point to change Master Gain.

#### Step 5: Gyro direction and Gyro Gain configure

Before flight, you have to verify that the gyro compensation direction is OK, otherwise, it could lead to losing control or even crash during the flight!

The VR gain POTs on the Flight control the correction gain and direction for each of the pitch (ELE), roll (AIL) and yaw (RUD) axis.

- 12 o'clock = max gain in one direction
- 6 o'clock = zero gain
- 7 o'clock = max gain in opposite direction

To perform the examination, power on the board, pick the plane up and check it by following the steps below:

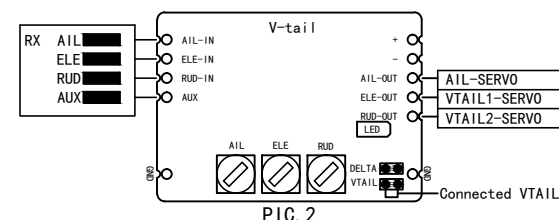
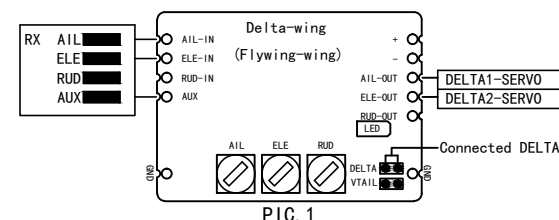
**CAUTION:** Keep all body parts, hair and loose clothing away from a moving propeller, as these items could become entangled.

Move the entire aircraft as shown and ensure the control surfaces move in the direction indicated in the graphic. If the control surfaces do not respond as shown, do not fly the aircraft. Refer to the manual for more information. For your first flight, the recommended gain value is 2/10 o'clock!

#### Step 6: re-learn center position

Quickly flip the flight mode switch three times between rate mode and hold mode within 1 second!

The gyroscope comes with delta wing hybrid control, without the need to design aileron hybrid controls on the remote controller.



#### SAFE Control Direction Test

